

2m Suspension Training Frame (4 Users)

£1,095.00

Product Images



Short Description

Whether you place this frame indoors or outdoors, this commercial grade suspension training frame has oval steel tubing that's finished with a silver powder coated finish (custom paint finishes are also available).

Why Choose This A-Frame?

Robust and very stable, it's a hugely practical feature for any gym, studio or CrossFit 'warehouse' environment. These frames are made to order and have a 3-4 week lead time. Chin and Dip attachments are also available on request.

2m Suspension Training Frame

Using your body weight for working out has become evermore popular and whether you use a TRX or a Jungle Gym or Human Trainer a frame will be essential for some exercises. Attach the suspension trainer from this 2m suspension training A-frame and you can feel secure whilst you perform a range of leg, torso and upper body exercises using your trainer. Using gravity and your bodyweight is a safer, less damaging

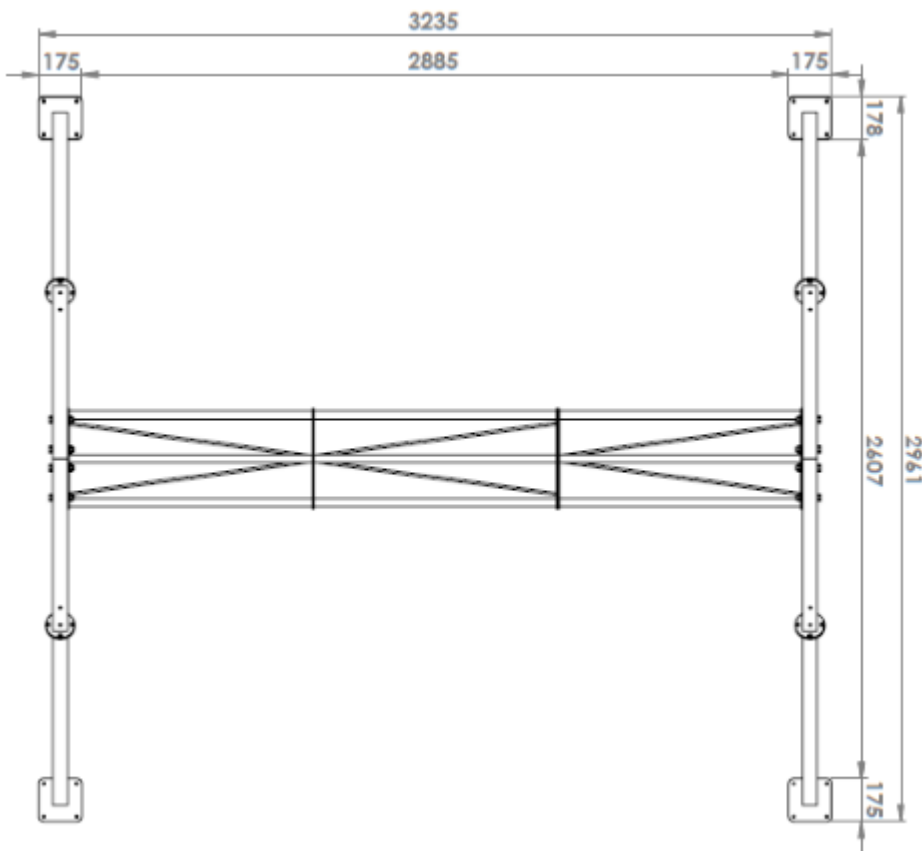
workout for beginners and you can still vary the level of intensity by changing the angle when performing your exercises.

Why Buy a Suspension A-Frame?

Pretty much essential for users in gyms to perform suspension training workouts, you can buy a 2m TRX A-Frame for a home gym too. Create a new workout program that gives you real results. Available in 3m, 4m, 5m and 6m lengths, gravity and bodyweight exercising promotes multi muscle movements that combine lower body, upper body and the core in one. And because the core is always activated, this results in a stronger mid section and improved posture.

In addition, you can buy a few attachments that increase the versatility of the frame. This includes dip bars, pull up bars and also weighted stability discs that mean you don't need to attach the A-Frame to the floor.

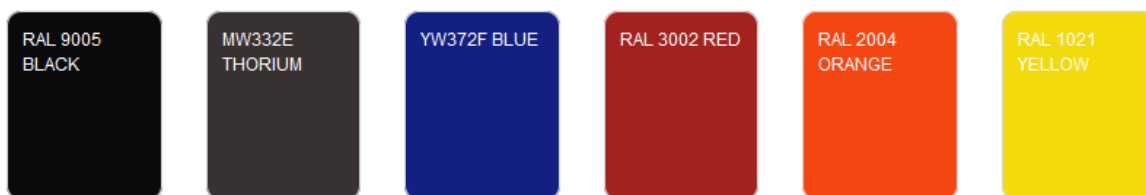
Key Dimensions



Colour Options (19 Standard Frame Colours)



PREMIUM FINE TEXTURE FINISH COLOURS



Additional Information

SKU	EX-5715
Weight	40.000000
Equipment Usage	Home & Commercial Use
Warranty	Main Frame: Framework (structural steel and welds) warranted for lifetime against defects in workmanship and materials under normal use. (Excluding surface finish)
Made From	Steel